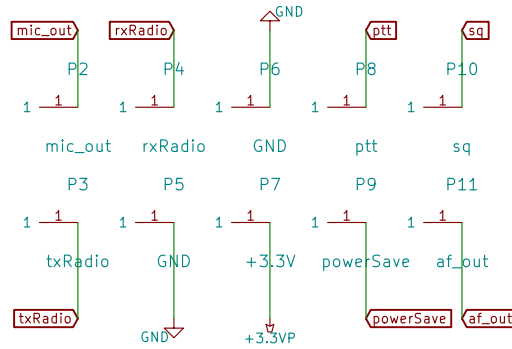
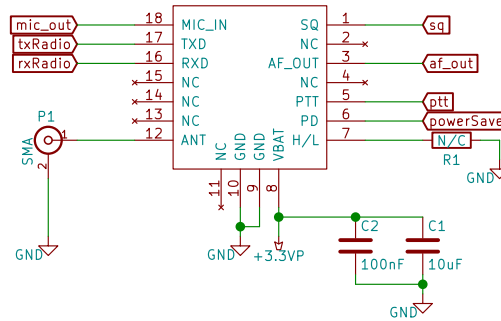


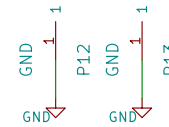
DRA818 Daughter Card



DRA818
U1



Extra ground pads



Sheet: /
File: DRA818daughter.sch

Title:

Size: A4

Date:

KiCad E.D.A. kicad 0.201506162246+576323ubuntu14.04.1-product

Rev:

Id: 1/1