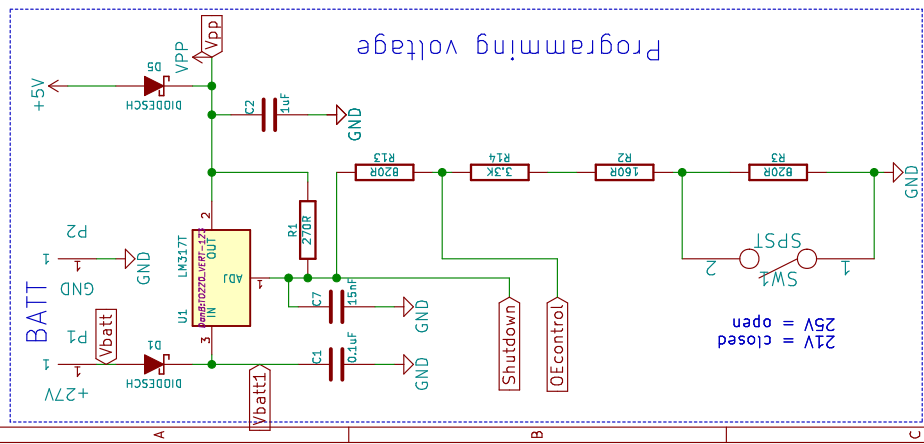


Don Bindner

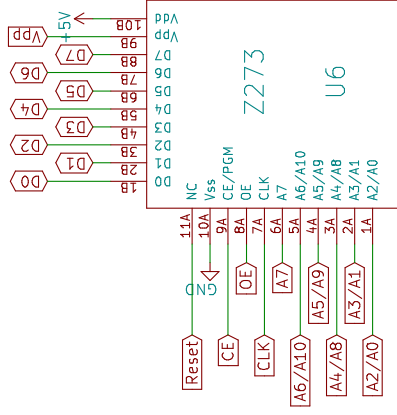
Sheet: /
File: Z273programmer.sch

Title: Z273 Programmer

Size: USLetter Date: Tue 23 Dec 2014
Kicad E.D.A. kicad O:201505262310+568423ubuntu14.04.1--product Id: 1/2



Sheet: Z-273 Header
File: Z273header.sch



Sheet: /Z-273 Header/
File: z273header.sch

Title:

Size: A4 Date:

KiCad E.D.A. kicad_0.201505262310+568423ubuntu14.04.1-product

Rev:

Id: 2/2