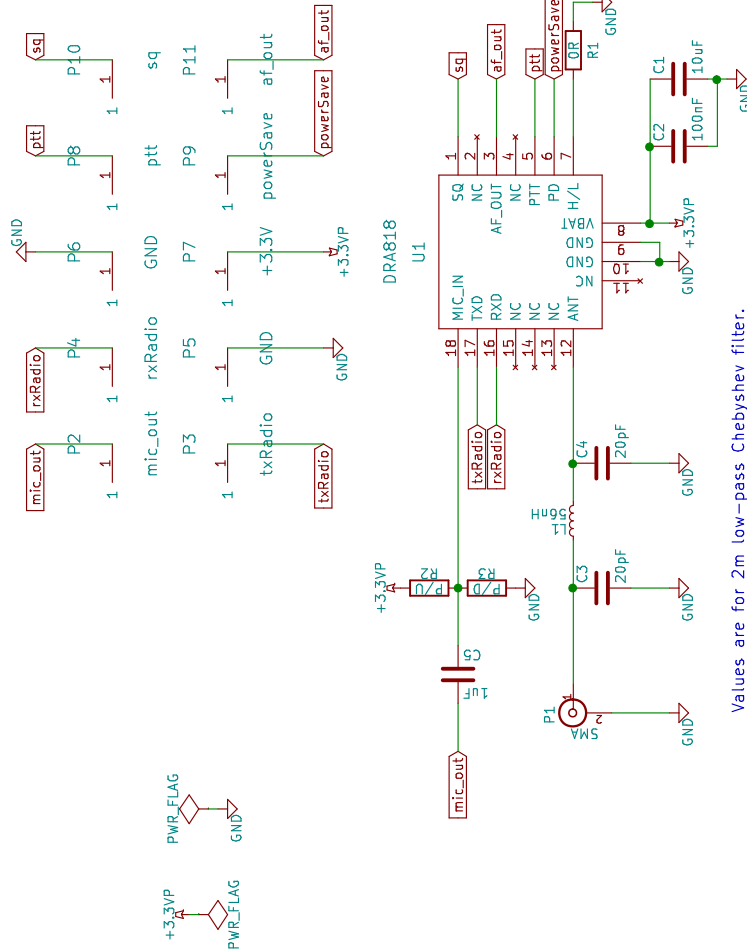


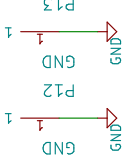
# DRA818 Daughter Card



Values are for 2m low-pass Chebyshev filter.

For 70cm: C4=C5=6.8pF, L1=18nH

Extra ground pads



Sheet: /	
File: DRA818daughter.sch	
<b>Title:</b>	
Size: A4	Date:
KiCad E.D.A. kicad 0.201507012246+585223ubuntu14.04.1-product	
<b>Rev:</b>	
Id: 1/1	