

Sheet: Supply\_3.3V  
 File: file5562A9B3.sch  
 Sheet: Serial\_Switch  
 File: file55672A6E.sch  
 Sheet: RadioAudioOut  
 File: RadioAudioOut.sch

Digital-to-analog (TX section)

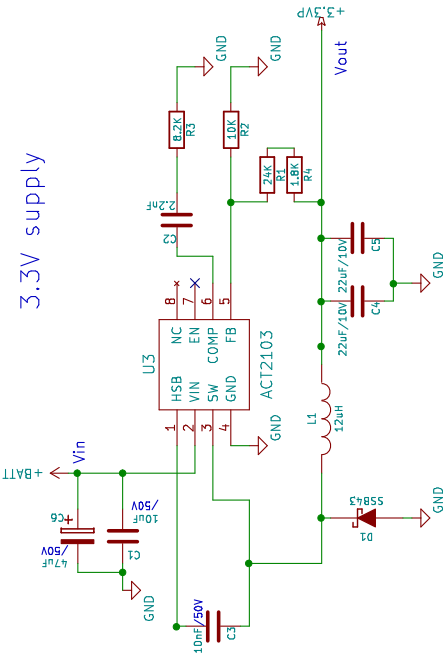
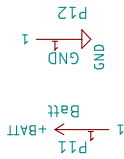
Donald Bindner

Sheet: /  
 File: BalloonRadio.sch

**Title: NavSpark MicroAPRS balloon radio**

Size: USLetter Date:  
 Kicad E.D.A. kicad O:201507012246+585223ubuntu14.04.1--product Id: 1/4

Battery: 5.5 - 10 volts



3.3V supply

Reverse voltage protection (temporary)



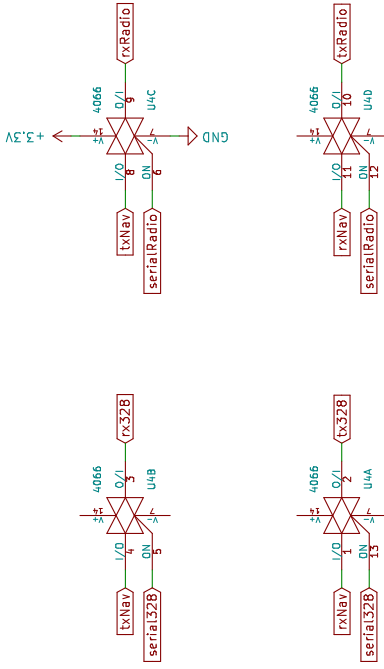
Donald Bindner

Sheet: /Supply\_3.3V/  
File: file562A9B3.sch

Title: NavSpark MicroAPRS balloon radio

Size: A4 Date: 4  
KICad: E.D.A. kicad: 0.201507012246+585223ubuntu14.04.1-product Id: 2/4

# Serial communication switch



Donald Bindner

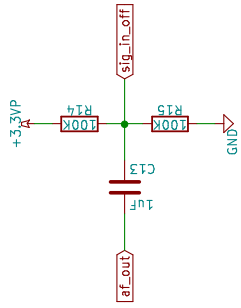
Sheet: /Serial\_Switch/  
File: file5672A6E.sch

**Title: NavSpark MicroAPRS balloon radio**

Size: A4 Date:

KiCad: E.D.A. kicad: 0.20150701.2246+585223ubuntu14.04.1-product

Rev:  
Id: 3/4



Sheet: /RadioAudioOut/  
File: RadioAudioOut.sch

**Title:**

Size: A4 Date:

KiCad E.D.A. kicad\_0.201507012246+585223ubuntu14.04.1-product Id: 4/4